

Cover elements for street boxes TXO/340/205 i TXO/340/195

For:

- Direct surface cover of street boxes in accordance with the upper external diameter of the body of the street box.

Cover elements for street boxes TXO/340/205 i TXO/340/195.

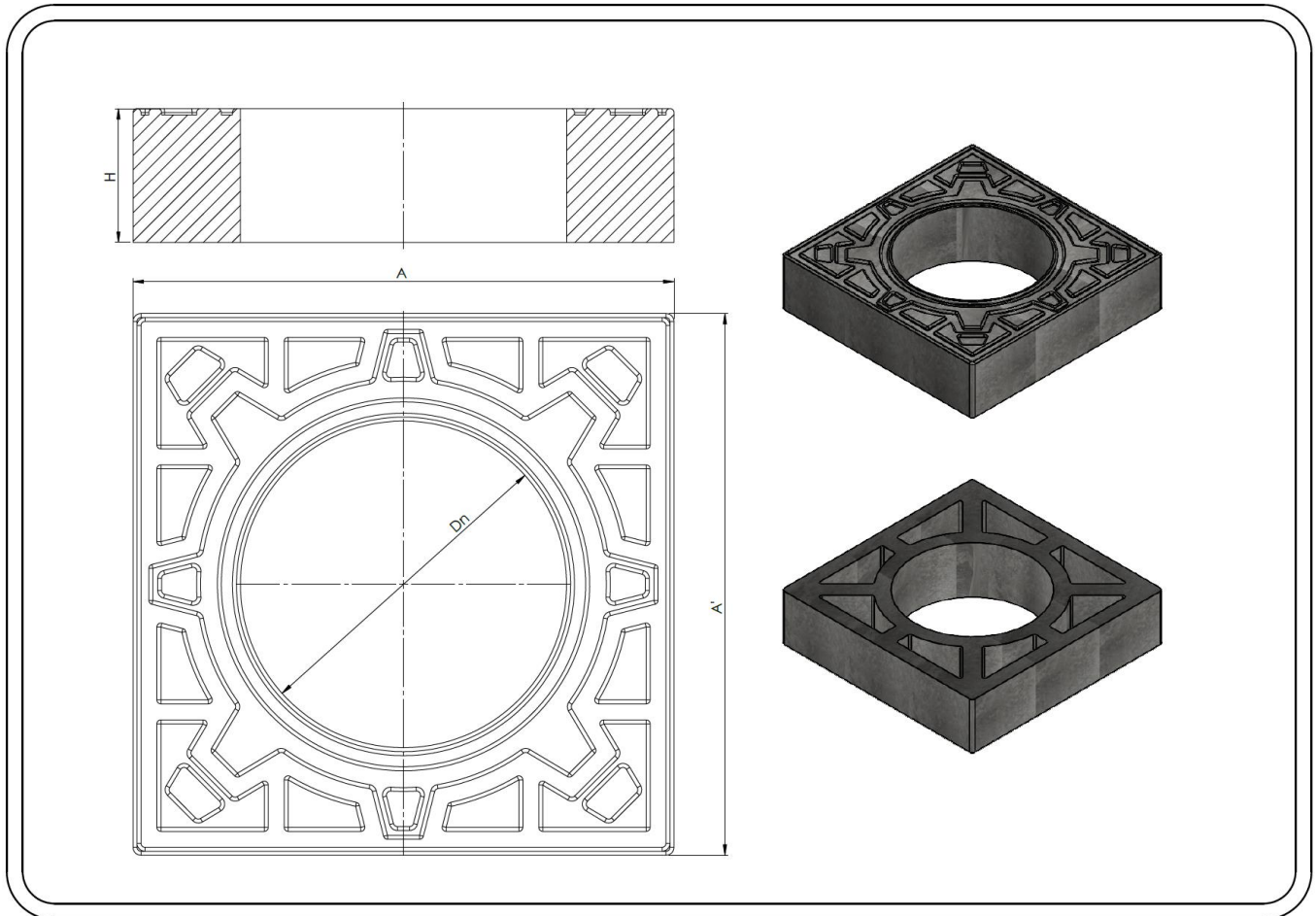


Table Nr1.

Indeks	DN(mm)	DZ(mm)	H(mm)	Weight (kg)	Support surface (cm ²)
TXO/340/205	205	340/340	80	8,2	540
TXO/340/195	195	340/340	80	7,2	571

3. Application:

Surface, upper plastic covering elements of street, water supply and gas boxes, protecting and stabilizing the position of street boxes. Covering elements make it easier to connect paving stones and tiles to the street box. Laid on a compacted foundation as well as in paving, bituminous and green areas.

For use in communication engineering in accordance with the above-mentioned purpose in the field of public roads without restrictions, internal roads and railway engineering structures without restrictions. In traffic areas of groups 1-4, class D400 acc. PN-EN 124-1:2015-07.

Parametry techniczne elementów osłonowych TXO/340

Compressive strength. Class	400kN D400	PN-EN 124-1 07-2015
Tensile strength	3Mpa	PN-EN ISO 527-1:2012
Degree of resistance to frost in water	F150	PB IBDIM PB/TB-1/23
Degree of frost resistance in 2% NaCl	F50	PB IBDIM PB/TWm-36/98
Absorptivity	<0,2%	PN-EN ISO 62:2008
Mechanical loss	0,33 tg	
Hardness according to Schore D	>46	PN-EN ISO 868:2005
Product dimensional tolerance	±5mm in diameter, ±3mm in height	
Support surface	(according to tab.1) cm ²	
Thermal resistance	-30° C do +60° C	Under continuous operating conditions
Short-term thermal resistance 170° C	2h	Under the conditions of installation in a bituminous surface
PVC/PE material	80%	PN-EN 15346 2009

Product reference documents:

National Technical Assessment No. IBDiM KOT 2017/0047 3rd edition
 National Declaration of Performance No. 10 / EW / 22
 Code CN 39259090

General assembly tips:

- Before commencing assembly works with the use of TVR T system cover elements, check whether the diameter dimensions (external and internal) are appropriate for the given box and whether all elements are structurally and height-adjusted to the intended use.
- Around the box set on the base (TXP) make a backfill around the entire perimeter and compact it properly.
- Reconstruction of the road surface around the box is made in layers with appropriate compaction (in accordance with the design, soil and water conditions, surface structure).
- Place the TXO shielding element centrally around the box so that the upper surfaces of the shielding element and the box are aligned.
- Place an externally hardened layer (bituminous mass, concrete, cubes) to the covering element.