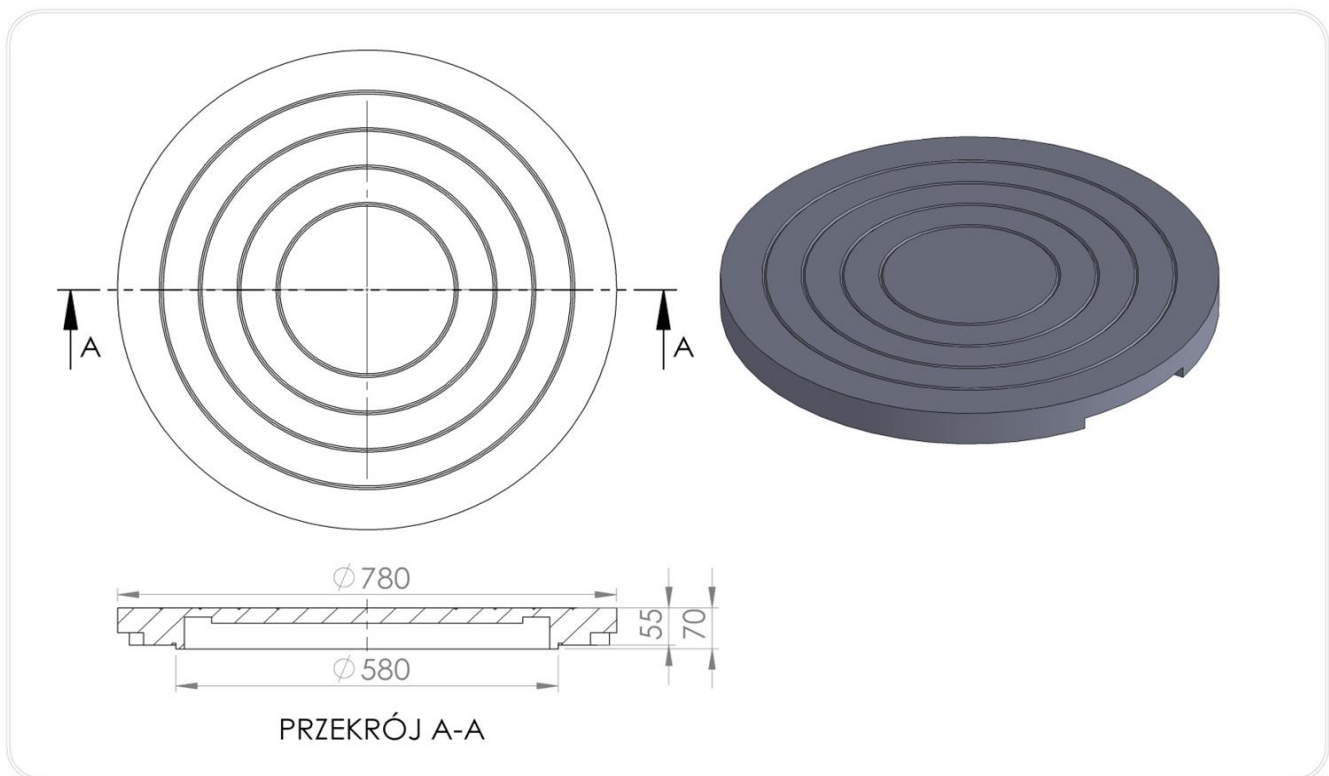


Protective cover T4 600
Intended for:

- Protection of plastic and concrete wells with an inspection opening DN 600 against contamination, rainwater inflow

Protective cover for DN 600 manholes

3. Application:

The non-overrun protective cover made of plastic is an alternative and economical protection of the sewage system of manholes with an opening $\geq \varnothing 600$ mm against pollution, rainwater inflow, and accidents. They are installed directly above the manhole of the well, on: cover plate, plastic shaft pipe, compensating rings of the TVRT system. They are resistant to erosion, weather conditions and environmental factors. Plastic covers do not damage the road lane mowing devices. They do not contain metal elements and are not subject to theft.

Also used as a temporary protection rain wells, during construction and assembly works, before the final operational final is installed.

For use in the communication engineering in a road lane in the area of excluded, unencumbered pedestrian and vehicular traffic of expressways, highways, on slopes.

Technical parameters of the T4 600 protective cover

Compressive strength. Class	200kg	PN-EN 124-1 07-2015
Tensile strength	3Mpa	PN-EN ISO 527-1:2012
Degree of resistance to frost in water	F150(-2%)	PB IBDIM PB/TB-1/23
Degree of frost resistance in 2% NaCl	F50(-2%)	PB IBDIM PB/TWm-36/98
Absorptivity	<0,2%	PN-EN ISO 62:2008
Mechanical loss	0,33 tg	
Hardness according to Shore	>46	PN-EN ISO 868:2005
Dimensional tolerance of the product	± 5mm in diameter, ± 3mm in height	
Support surface	- cm ²	
Thermal resistance	-30° C do +60° C	In continuous work conditions.
Short-term thermal resistance 170° C	2h	In the conditions of installation in the bituminous surface
PVC / PE material	80%	PN-EN 15346 2009

Product reference documents:
 National Technical Assessment No. IBDiM-KOT-2017/0047 3rd edition
 National Declaration of Performance No. 04 / EW / 22
 Code CN 39259090

General assembly instructions:

- T4 600 protective plastic covers should be raised above the level of the surrounding ground, the surface of about 8 cm in order to protect the sewage system, septic tanks against the inflow of surface waters.
- The location of the chamber with a protective cover should preclude accidental running of vehicles onto the chamber.
- The protective cover can be additionally secured against opening by screwing the cover to the plastic rings, the relief cones, shaft pipes.