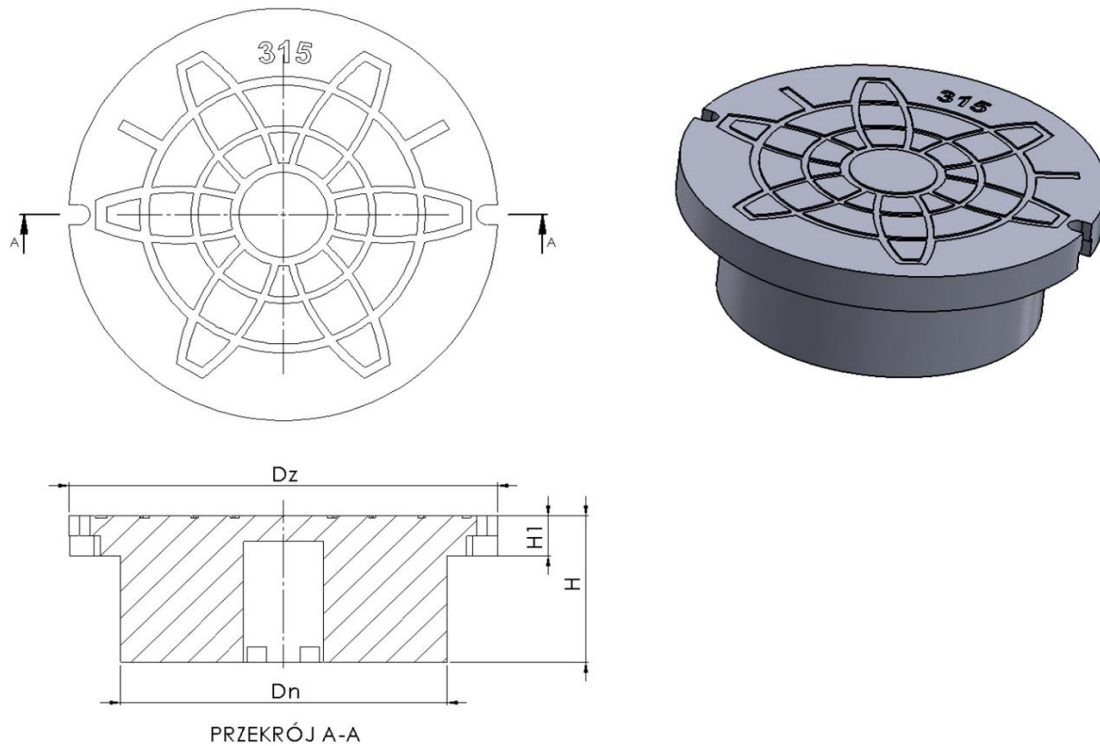


Protective cover T4/ 315 BB
Intended for:

- Protection of plastic wells with an inspection opening DN 315 equipped with a relief cone T3 / 315 / BB against contamination, rainwater inflow
- Temporary protection of wells (shaft pipes) DN 315 mm

Protective cover for DN 315 manholes.


Index	Dz(mm)	Dn(mm)	H(mm)	H1(mm)	Weight kg
T4/315/BB	410	315	150	50	15,2

3. Application:

The non-overrun protective cover made of plastic is an alternative and economical protection of the sewage system of manholes with an opening $\geq \varnothing 315$ mm against pollution, rainwater inflow, and accidents. They are installed directly on the universal relief cone T3 / 315 / BB. They are resistant to erosion, weather conditions and environmental factors. Plastic covers do not damage the road lane mowing devices. They do not contain metal elements and are not subject to theft.

For use in the communication engineering in a road lane in the area of excluded, unencumbered pedestrian and vehicular traffic of expressways, highways, on slopes, green areas.

Technical parameters of the protective cover T4/ 315 BB

Compressive strength. Class	200kg	PN-EN 124-1 07-2015
Tensile strength	3Mpa	PN-EN ISO 527-1:2012
Degree of resistance to frost in water	F150(-2%)	PB IBDIM PB/TB-1/23
Degree of frost resistance in 2% NaCl	F50(-2%)	PB IBDIM PB/TWm-36/98
Absorptivity	<0,2%	PN-EN ISO 62:2008
Mechanical loss	0,33 tg	
Hardness according to Shore	>46	PN-EN ISO 868:2005
Dimensional tolerance of the product	± 5mm in diameter, ± 3mm in height	
Support surface	-cm ²	
Thermal resistance	-30° C do +60° C	In continuous work conditions.
Short-term thermal resistance 170° C	2h	In the conditions of installation in the bituminous surface
PVC / PE material	80%	PN-EN 15346 2009

Product reference documents:
National Technical Assessment No. IBDiM-KOT-2017/0047 3rd edition
National Declaration of Performance No. 03 / EW / 22
Code CN 39259090

General assembly instructions:

- T4 / 315 protective covers with the T3 / 315 plastic relief cone should be raised above the level of the surrounding ground, the surface of about 8 cm in order to protect the sewage system, septic tanks against the inflow of surface waters.
- The location of the chamber with a protective cover should preclude accidental running of vehicles onto the chamber.
- The protective cover can be additionally secured against opening by screwing the cover to the relief cone with screws.