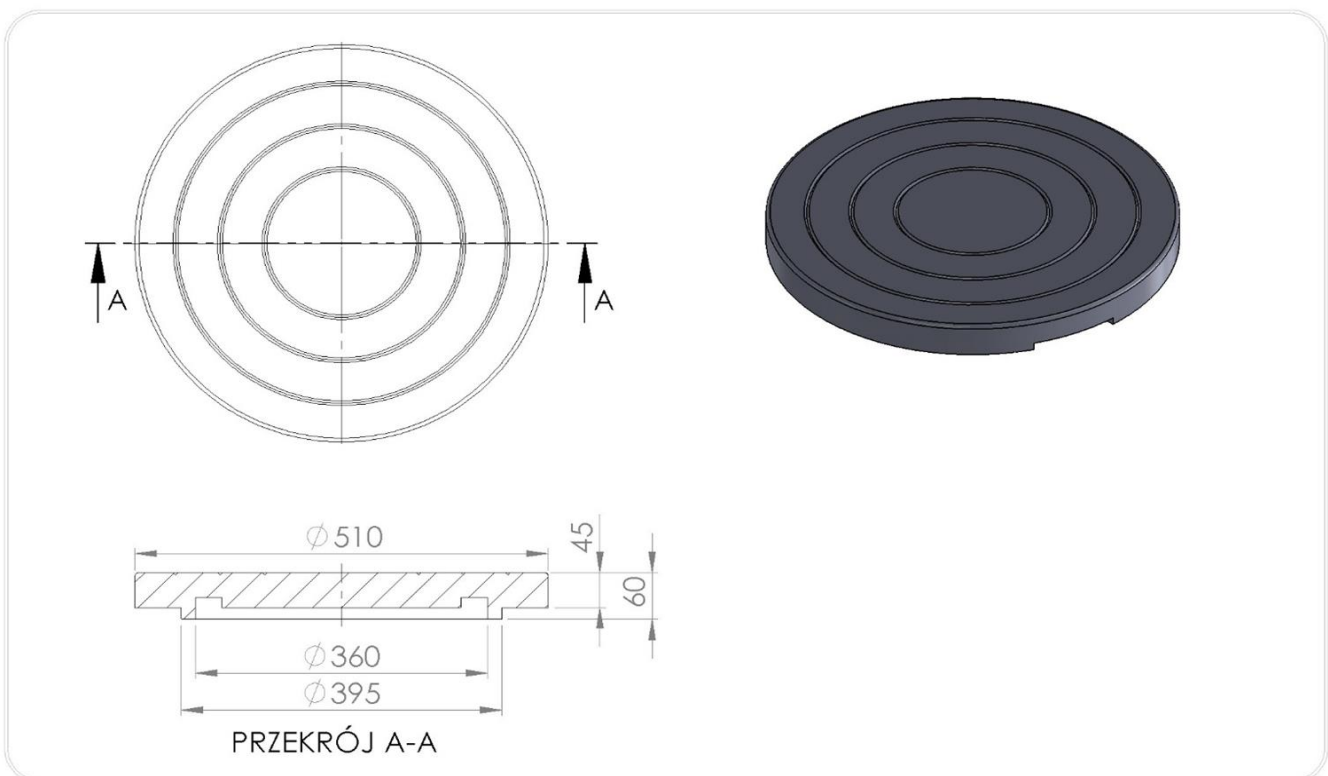


### Protective cover T4/315/400

**Intended for:**

- Protection of plastic wells (shift pipes) with an inspection opening DN 315 and DN / ID 400 plastic manholes against contamination, rainwater inflow
- Temporary protection of concrete manholes / rain drains DN 450mm

**Protective cover for DN 315/400 manholes**

**Technical parameters of the T4/315/400 protective cover**

Compressive strength. Class	200kg	PN-EN 124-1 07-2015
Tensile strength	3Mpa	PN-EN ISO 527-1:2012
Degree of resistance to frost in water	F150(-2%)	PB IBDIM PB/TB-1/23
Degree of frost resistance in 2% NaCl	F50(-2%)	PB IBDIM PB/TWm-36/98
Absorptivity	<0,2%	PN-EN ISO 62:2008
Mechanical loss	0,33 tg	
Hardness according to Shore	>46	PN-EN ISO 868:2005

Dimensional tolerance of the product	± 5mm in diameter, ± 3mm in heigh	
Support surface	- cm <sup>2</sup>	
Thermal resistance	-30° C do +60° C	In continuous work conditions.
Short-term thermal resistance 170° C	2h	In the conditions of installation in the bituminous surface
PVC / PE material	80%/weight 11,5kg	PN-EN 15346 2009
<p>Product reference documents:  National Technical Assessment No. IBDiM-KOT-2017/0047 3rd edition  National Declaration of Performance No. 03 / EW / 22  Code CN 39259090</p>		
<p><b>General assembly instructions:</b></p> <ul style="list-style-type: none"> <li>• T4 / 315/400 protective covers with the T3 / 315 plastic relief cone should be raised above the level of the surrounding ground, the surface of about 8 cm in order to protect the sewage system, septic tanks against the inflow of surface waters.</li> <li>• The location of the chamber with a protective cover should preclude accidental running of vehicles onto the chamber.</li> <li>• The protective cover can be additionally secured against opening by screwing the cover to the relief cone or shift pipe.</li> </ul>		